

# Polycom® SoundStructure SR12

High performance installed  
audio solution



## The ideal solution for sound reinforcement.

The Polycom SoundStructure SR12 installed audio solution delivers powerful and flexible audio processing for any commercial sound application that does not require conferencing capabilities. Either alone or linked with up to seven additional systems, the SoundStructure SR12 system is an ideal solution for any sound application, including houses of worship, stadiums, conference centers, hotels, night clubs, and restaurants. A powerful gain sharing automixer with automatic gain control on all inputs ensures consistent microphone pickup in all environments and flexible equalization, dynamics, and cross-over processing enable a broad range of applications. Feedback elimination on all inputs prevents embarrassing acoustic feedback and provides for flexible microphone and loudspeaker placement, and unrivaled noise cancellation technology removes the broadest range of background noises. A central matrix mixer that seamlessly scales from 12 up to 96 inputs and outputs makes setting up multi-zone audio systems a snap.

In addition, the SoundStructure model SR12 features the same flexibility and ease of installation as the SoundStructure C-Series conferencing products, and is a perfect way of adding 12 additional nonconferencing inputs (such as other line level audio sources) and outputs to a SoundStructure conferencing system. An innovative OBAM matrix architecture enables multiple SoundStructure units to work together as one large system for unparalleled scalability and flexibility. All SoundStructure products leverage advanced signal grouping, labeling and submixing that let you leverage yesterday's work during today's installation, saving time and money. Plus, exclusive SoundStructure Studio software from Polycom makes configuration easy, and is powerful enough to handle the most challenging acoustic designs.

### About Polycom

Polycom, Inc. (NASDAQ: PLCM) is the global leader in telepresence, video, and voice solutions and a visionary in communications that empower people to connect and collaborate everywhere.

Companies choose Polycom solutions because they allow geographically dispersed workforces to communicate more effectively and productively over distances. Using Polycom voice, video, and telepresence products and services, people connect and collaborate with one another from their desktops, meeting rooms, class rooms, and mobile settings rather than travelling to one place to solve problems.

Find out how your workers can quickly collaborate "face-to-face" wherever they are. Visit [www.polycom.com](http://www.polycom.com).

### Benefits

**Breakthrough feedback elimination** – Enables more flexible microphone, talker, and loudspeaker placements and speech reinforcement

**Unrivaled noise cancellation technology** – Removes the broadest range of background noises from your audio inputs

**Gain sharing automatic microphone mixer** – Improved automixer experience ensures smoother transitions and robust performance in a variety of operating environments

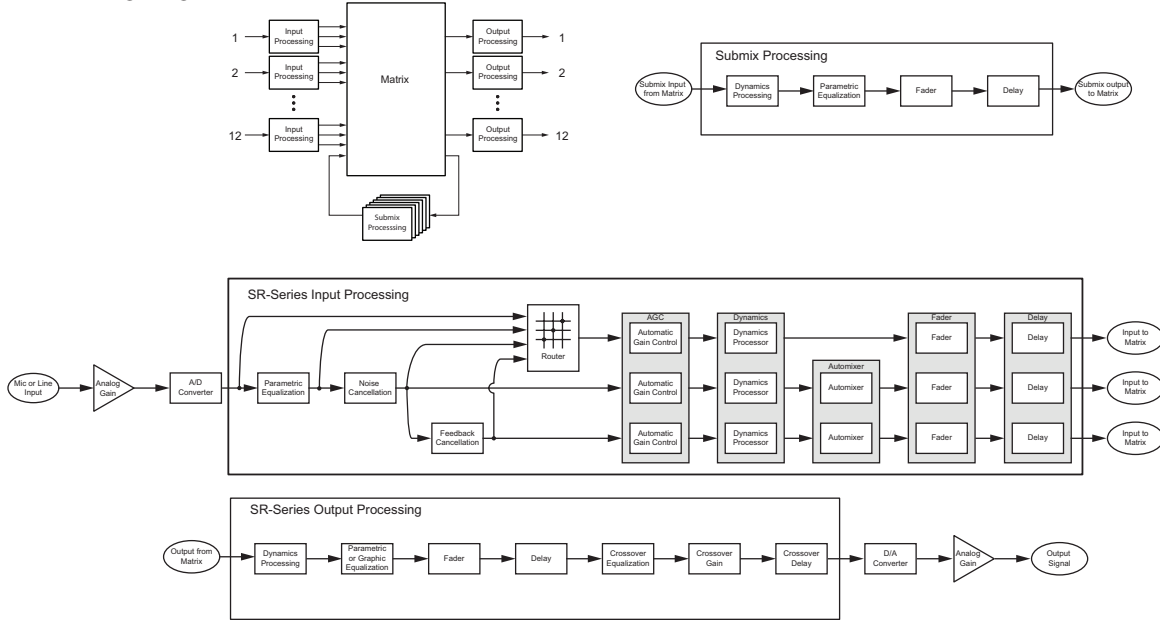
**OBAM™ matrix architecture** – Connect multiple units together to create larger systems without the limitations of traditional bussing

**SoundStructure Studio** – Powerful Windows-based software for efficient design and configuration; use it to easily set up a basic system, or use its powerful customization tools for more complex environments

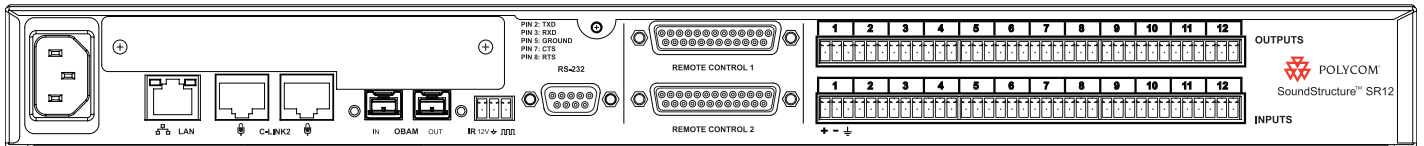
**Integrated Ethernet** – Control and manage the system from anywhere on the network

# Polycom® SoundStructure SR12 Specifications

## Block Processing Diagram



## Back of Unit



## Specifications

### Dimensions

- 19" x 13.5" x 1.75" in (483 x 1343 x 45 mm) (W x L x H) (one rack unit)

### Weight

- 12 lbs. (5.5 kg) dry, 14 lbs. (6.4 kg) shipping

### Connectors

- RS-232: DB9F
- OBAM In/Out: IEEE 1394B
- CLINK2 : RJ45
- LAN: RJ45
- Control /Status: DB25F
- Audio: Mini (3.5mm) quick connect terminal blocks
- IR Receive: Mini (3.5mm) quick connect terminal block

### Power and Thermal

- Internal supply
- Input voltage of 90-250 VAC; 50-60 Hz; line power requirements (including 0.6 PF): 105VA (SR12)
- Thermal dissipation (Btu/hr): 215 Btu/hr
- 0 to 40°C operating temperature

### Inputs

- Phantom power: 48 V DC through 6.8kOhm series resistor per leg, 7.5mA per channel, software selectable
- Analog input Gain: -20 to 64 dB on all inputs in 0.5 dB steps, software adjustable
- Maximum input amplitude: +20.4 dBu, 1% THD + N
- Nominal level: 0 dBu (0.775 V rms)
- Equivalent input noise: <-122 dBu, 20 - 20,000 Hz, Rs= 150 Ohms (1%)
- Input Impedance: 10 kOhms
- Input EMI Filter: Pi filter on all audio inputs

### Outputs

- Output Gain: -100 to 20 dBu in 1 dB steps, software adjustable
- Maximum output amplitude: +23 dBu, 1% THD + N
- Nominal output level: 0 dBu (0.775 V rms)
- Output impedance: 50 Ohm, each leg to ground, designed to drive loads > 600 Ohms
- Output EMI Filter: Pi filter on all audio outputs

### System<sup>1</sup>

- Frequency response: 20-22,000 Hz, + 0.1 /- 0.3 dB
- Idle channel noise: <-109 dB FS no weighting, 20 - 20,000 Hz, -60dB FS, 0.997 kHz input signal, 0 dB gain
- Dynamic range: >109 dB FS no weighting, 20 - 20,000 Hz, -60 dB FS, 0.997 kHz input signal, 0 dB gain
- Linearity: 0 dB FS to -122 dB FS +/- 1 dB
- THD+N: < 0.005%, -20 dB FS input signal
- Common Mode Rejection Ratio: <-61 dB, 20 - 20,000 Hz, no weighting
- Cross talk: <-110 dB, 20-20,000 Hz, 1kHz, channel-to-channel
- Latency: Mic/Line inputs to outputs: 5msec, 20 msec with NC processing enabled
- Noise cancellation: 0-20 dB, software selectable
- Control Inputs: Contact closure
- Status Outputs: Open collector 60V and 500mA maximum per output
- All signal ground pins connected to chassis ground through low impedance planes

1. Unless noted, all values are valid for all channels at 0dB input gain

©2009 Polycom, Inc. All rights reserved.

Polycom and the Polycom logo design are registered trademarks of Polycom, Inc. in the U.S. and various countries.

All other trademarks are the property of their respective owners. Information in this document is subject to change without notice.



**Polycom Headquarters**  
4750 Willow Road  
Pleasanton, CA 94588  
1.800.POLYCOM or  
+1.925.924.6000

**Polycom EMEA**  
270 Bath Road  
Slough  
Berkshire SL1 4DX  
+44 (0)1753 723000

**Polycom Asia Pacific**  
8 Shenton Way  
#11-01 Temasek Tower  
Singapore 068811  
+65.6389.9200